

LMB-20V Series, 20Watt

FEATURES:

- ✓ Constant voltage output
- ✓ Input voltage range 200-240Vac
- ✓ Short circuit, overload, and over temperature protections
- ✓ Designed to worldwide safety standards for lighting
- ✓ Cooling by free air convection
- ✓ 3 years warranty



Model	Input voltage (Vac)	Output voltage (Vdc)	Output current (mA)		Output power (W)
			Min.	Max.	
LMB20-V12	200-240	12	0	1670	20
LMB20-V24		24	0	830	20

ELECTRICAL

Input						
Parameters	Symbols	Test Conditions / Comment	Min.	Typ.	Max.	Units
Input voltage	V_{in}	---	180	--	264	Vac
Input frequency	F_{line}	---	47	--	63	Hz
Input current	I_{in}	Full load, $V_{in} = 230V_{ac}$	--	--	0.3	A
Inrush current	I_{inrush}	Cold start, $V_{in} = 230V_{ac}$	--	--	50	A
Power factor	PF	70%~100% load, $V_{in} = 220V_{ac}$	--	0.5	--	PF
Efficiency	η	Full voltage, full load	83	85	--	%
Output						
Output current	I_{out}	LMB20-V12	--	1670	--	mA
		LMB20-V24	--	830	--	mA
Output voltage	V_{out}	LMB20-V12	11.4	12	12.6	V
		LMB20-V24	22.8	24	25.2	V
Line regulation	$I_{out-line}$	V_{in} from 200Vac to 240Vac	--	--	1	%

LMB-20V Series, 20Watt
ELECTRICAL
Output

Parameters	Symbols	Test Conditions / Comment	Min.	Typ.	Max.	Units
Load regulation	$I_{out-load}$	V_{out} from min. To max.	--	--	5	%
Turn-on delay time	T_{on_delay}	Cold start, power on	--	--	2	S
Ripple	--	---	--	200	240	mV

Protection

Overload	Hiccup mode, it will recover automatically after fault conditions remove					
Short circuit	Hiccup mode, it will recover automatically after fault conditions remove					
Over temperature	Protection type: shut down o/p voltage recovers automatically after temperature goes down					
Over voltage	Protection type: shut down and latch off O/P voltage, re-power on to recover					

Environment

Storage	$T_{storage}$	Humidity: 5% RH to 95% RH	-40	--	+80	°C
Ambient operating temperature	T_a	Startup at rated voltage	-20	--	+45	°C
Maximum case temperature	T_c	Hot-spot on case	--	--	+80	°C
Operating relative humidity	H_a	Non condensing	10	--	95	%
MTBF	T_{MTBF}	Full load, 220Vac input, 25°C ambient temperature	--	--	30	kHrs
Dimension(LxWxH)	148x45.8x22.5mm					

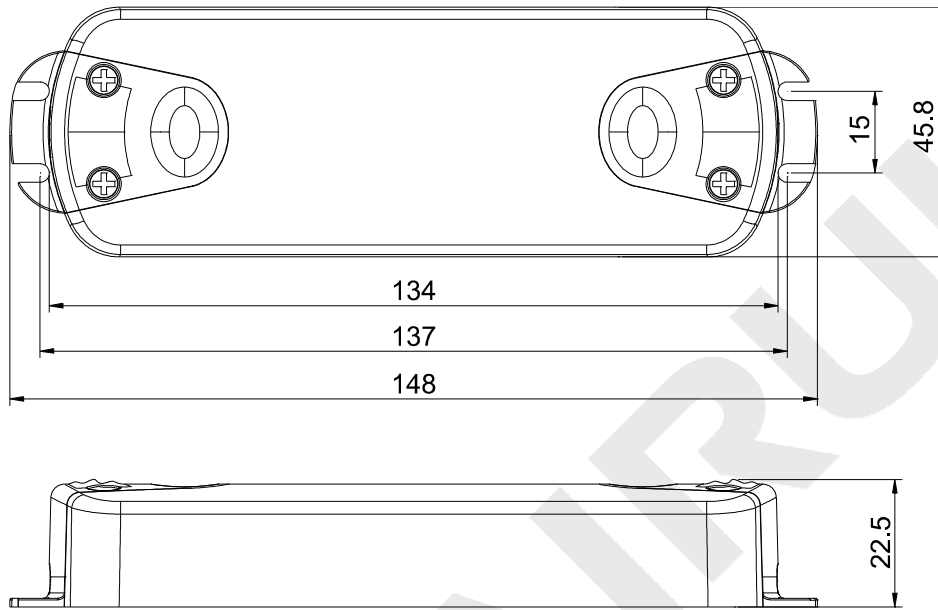
Safety / EMC

Safety standards	IEC61347-1	IEC61347-2-13				
EMI	IEC55015					
EMS IMMUNITY	IEC61547					
THD	IEC61000-3-2					

Notes: Unless otherwise specified, all the above parameters are measured at ambient temperature of 25°C and V_{in} = 200Vac to 240Vac.

LMB-20V Series, 20Watt

MECHANICAL



Unit: mm